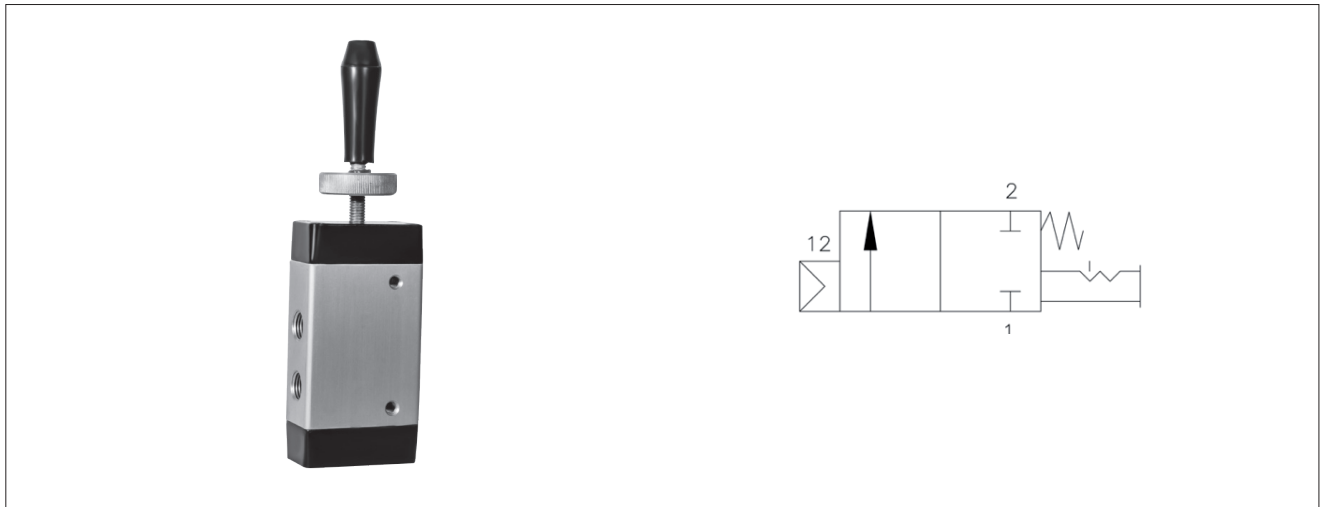


# Neles Easyflow™ pneumatic lock relays

## Series ALRQ

2/2 way air operated valve with manual override

Model no. ALRQ-3



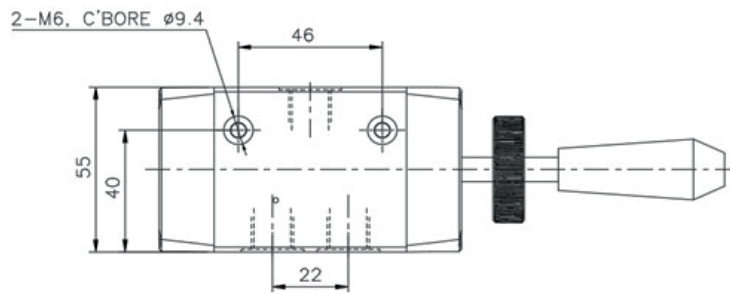
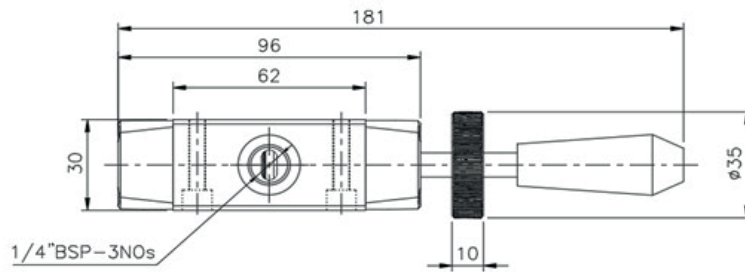
### Features

- Lock in place function in case air supply failure
- Trip pressure 2,5 bar (not adjustable, factory set)
- Manual override for actuator pneumatic lock out
- 4 way versions available where downstream side ports blocked
- Compact size

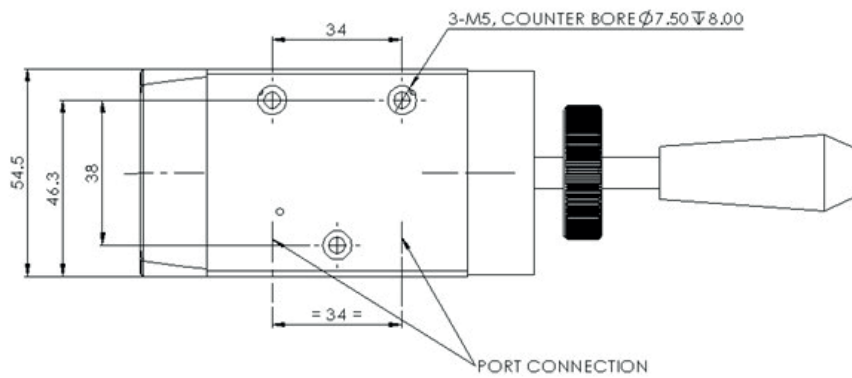
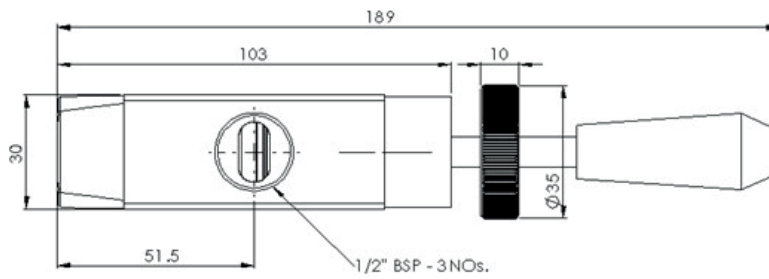
### Technical specification

Model	ALRQ-3-2	ALRQ-3-4
Type	3/2 way spool design air lock relay	
Media	Compressed air, 25 µm. Filtered, lubricated or unlubricated	
Mounting	Through holes in housing, also suitable for mounting on manifold	
Operating pressure range	3-10 bar	
Pilot pressure	2-10 bar	
Temperature range (°C)	-10 to 70	
Valve body MOC	Aluminium / Brass / SS 316/SS 304	
Seals MOC	NBR	

## Dimensional drawings with symbol



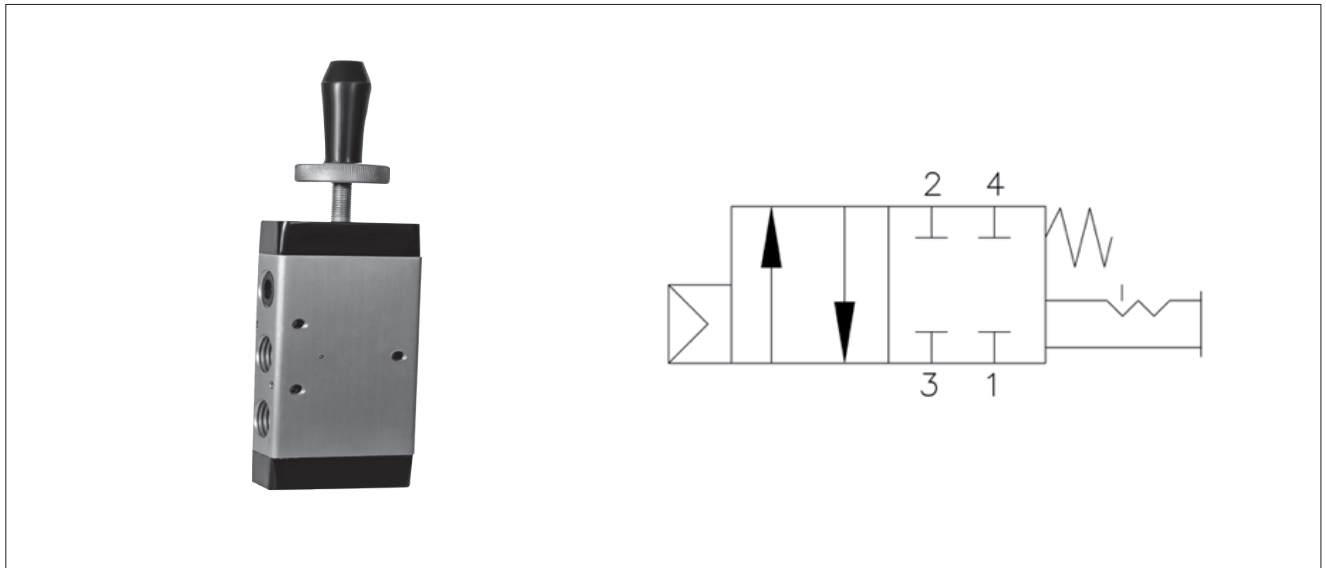
ALRQ3-2



ALRQ3-4

## 5/2 Way air operated valve with manual override

Model no. ALRQ-5



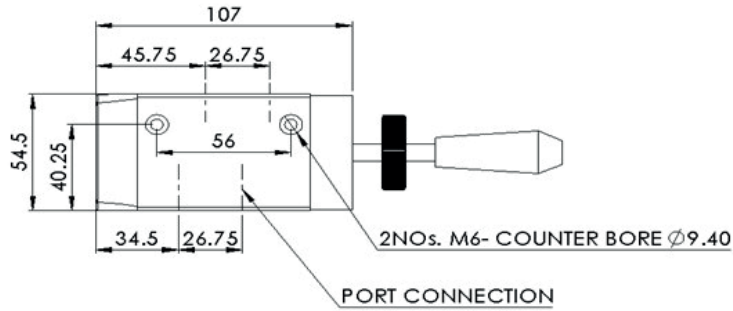
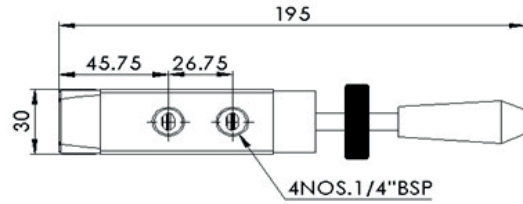
### Features

- Lock in place function in case air supply failure
- Trip pressure 2,5 bar (not adjustable, factory set)
- Manual override for actuator pneumatic lock out
- 3 and 4 way versions available where downstream side ports blocked
- Compact size

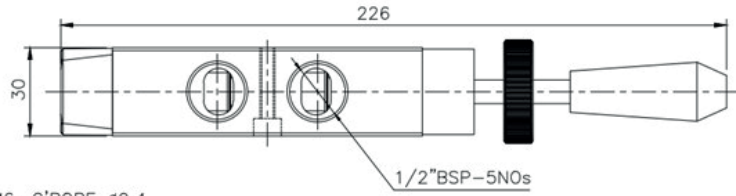
### Technical specification

Model	ALRQ-5-2	ALRQ-5-4
Type	5/2 way spool design air lock relay	
Media	Compressed air, 25 µm. Filtered, lubricated or unlubricated	
Mounting	Through holes in housing, also suitable for mounting on manifold	
Operating pressure range	3-10 bar	
Pilot pressure	2-10 bar	
Temperature range (°C)	-10 to 70	
Valve body MOC	Aluminium / Brass / SS 316/SS 304	
Seals MOC	NBR	

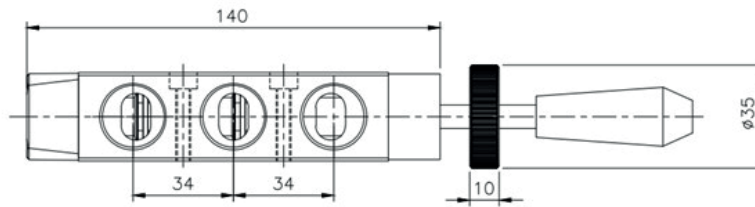
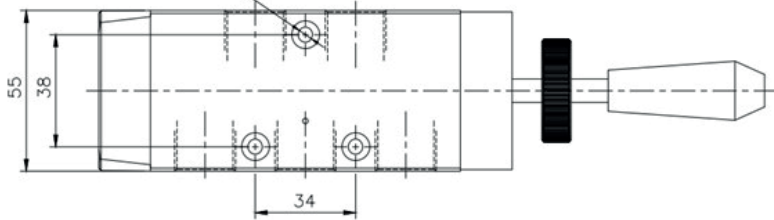
## Dimensional drawings with symbol



ALRQ5-2



3-M6, C'BORE  $\varnothing$ 9.4



ALRQ5-4

## How to order

1	2	3	4	5	6
ALRQ	3	2	G	0	0

1	Principle
ALRQ	Pneumatics lock relays

2	Action
3	3/2 way
5	5/2 way

3	Port size
2	1/4"
3	3/8"
4	1/2"

4	Port thread type
G	BSP
R	NPT

5	Body material
0	Aluminium
1	SS316

6	Seal Material
0	NBR
1	VITON

### ORDERING EXAMPLE:

1. ALRQ-3-2-G-0-0. This is a 3/2 position Pneumatics lock relay valve with port size of 1/4" BSP Aluminium body along with NBR as a seal material.

**Valmet Flow Control Oy**

Vanha Porvoontie 229, 01380 Vantaa, Finland.

Tel. +358 10 417 5000.

[www.valmet.com/flowcontrol](http://www.valmet.com/flowcontrol)

Subject to change without prior notice.

Neles, Neles Easyflow, Jamesbury, Stonel, Valvcon and Flowrox, and certain other trademarks, are either registered trademarks or trademarks of Valmet Oyj or its subsidiaries in the United States and/or in other countries.

For more information [www.neles.com/trademarks](http://www.neles.com/trademarks)

