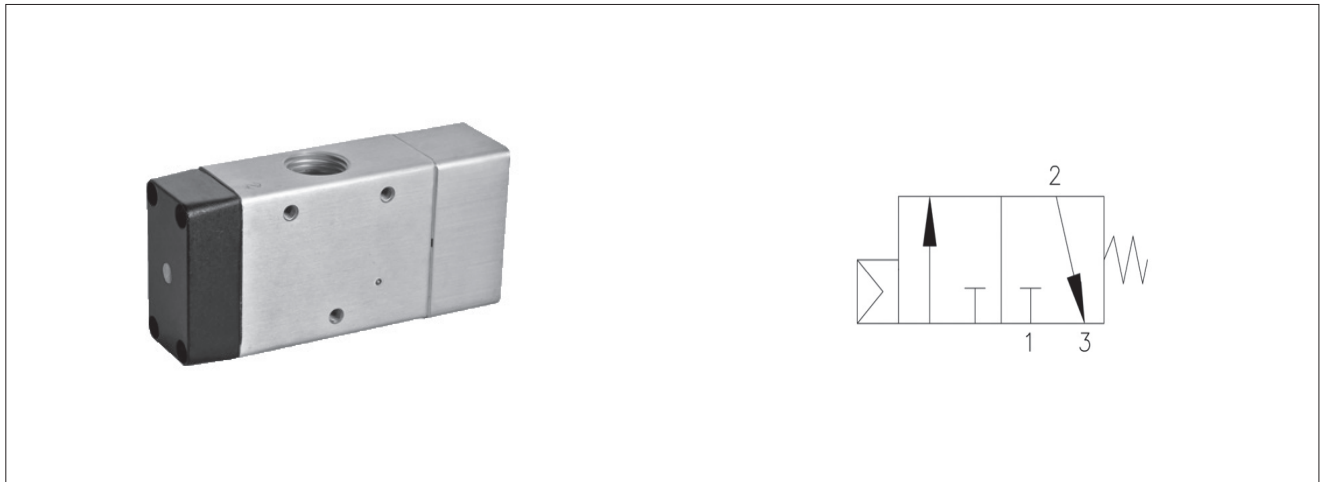


Neles Easyflow™ air operated spool valves

Series DAQ and VAQ

3/2 way air operated spool valve

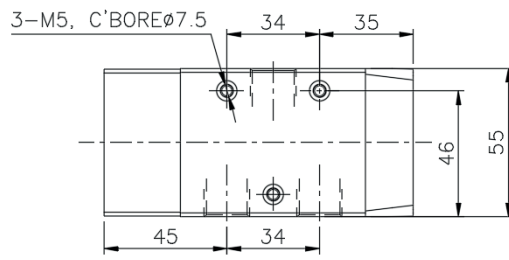
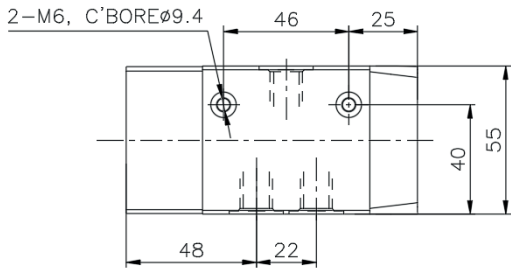
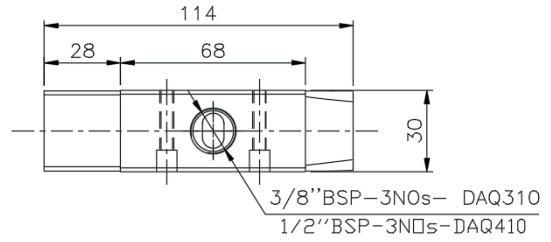
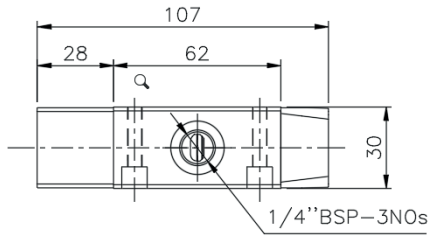
Model No: DAQ210/310/410/610/810



Technical specification

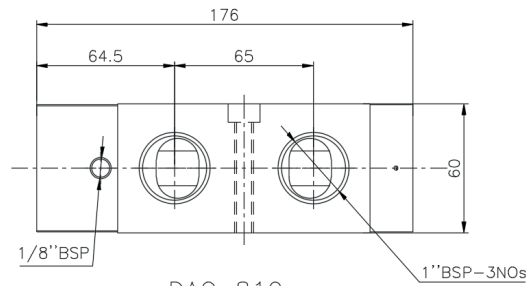
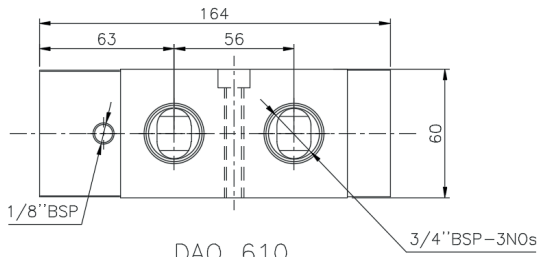
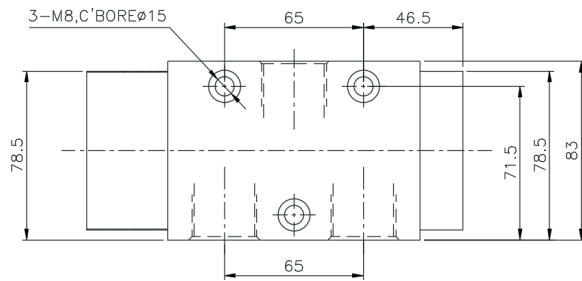
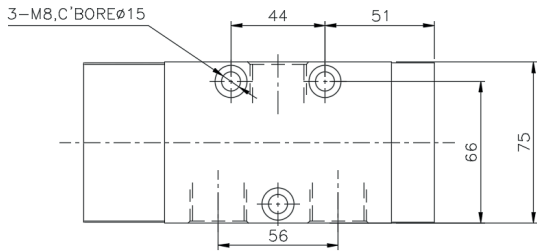
Model	DAQ210	DAQ310	DAQ410	DAQ610	DAQ810
Type	3/2 way spool design, single external pilot operated spring return valve				
Media	Compressed air, 50 µm. Filtered, lubricated or unlubricated				
Mounting	Through holes in housing, also suitable for mounting on manifold				
Orifice (mm)	6.7	10	10	16	20
Flow factor (kv) (L / min)	15	38	38	75	110
Port size	1/4"	3/8"	1/2"	3/4"	1"
Operating pressure range (bar)	0 to 10				
Temperature range (°C)	-10 to 70				
Pilot pressure (bar)	2				
Valve body MOC	Aluminium / SS				
Seals MOC	NBR				

Dimensional drawings



DAQ 210

DAQ 310 & DAQ410

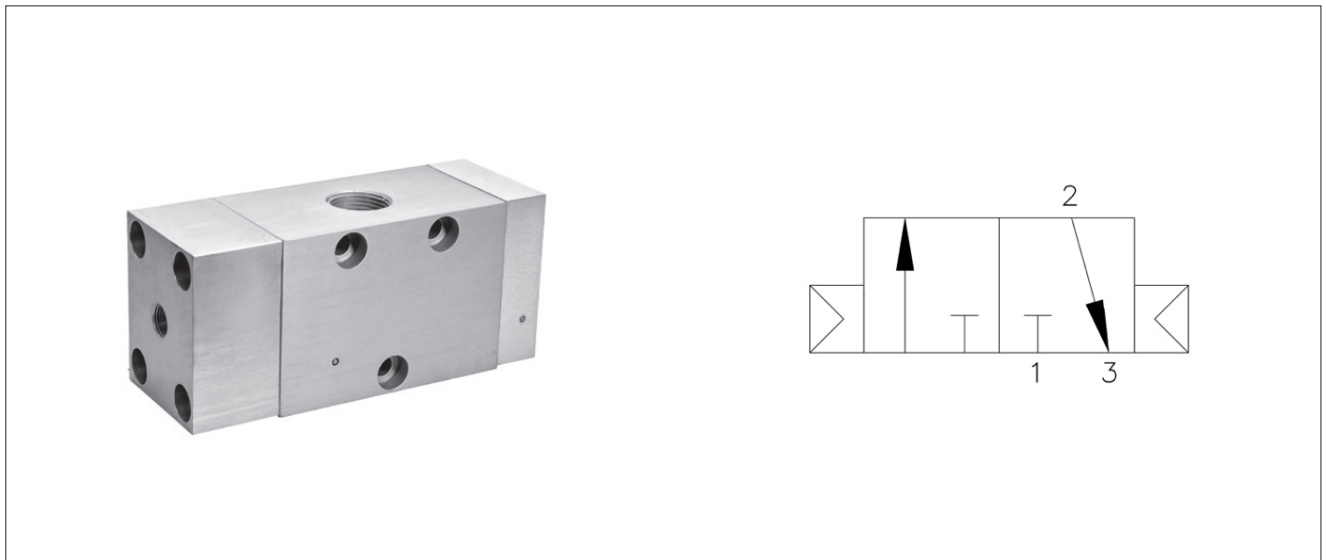


DAQ 610

DAQ 810

3/2 way air operated spool type valve

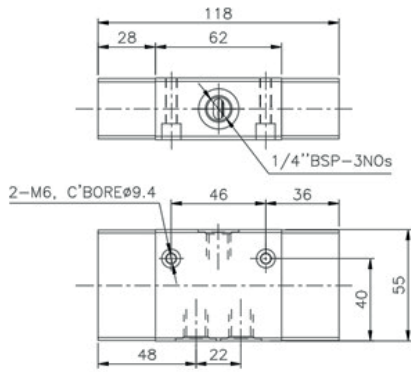
Model No: DAQ211/311/411/611/811



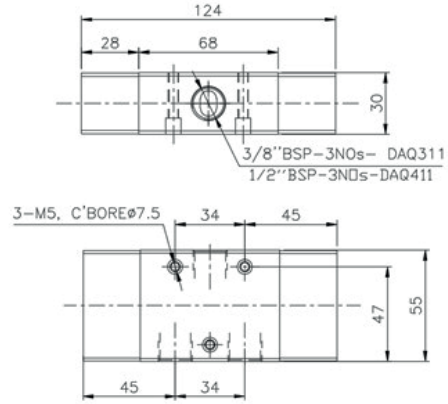
Technical specification

Model	DAQ211	DAQ311	DAQ411	DAQ611	DAQ811
Type	3/2 way spool design, dual external pilot operated valve				
Media	Compressed air, 50 µm. Filtered, lubricated or unlubricated				
Mounting	Through holes in housing, also suitable for mounting on manifold				
Orifice (mm)	6.7	10	10	16	20
Flow factor (kv) (L / min)	15	38	38	75	110
Port size	1/4"	3/8"	1/2"	3/4"	1"
Operating pressure range (bar)	0 to 10				
Pilot pressure (bar)	2				
Temperature range (°C)	-10 to 70				
Valve body MOC	Aluminium / SS				
Seals MOC	NBR				

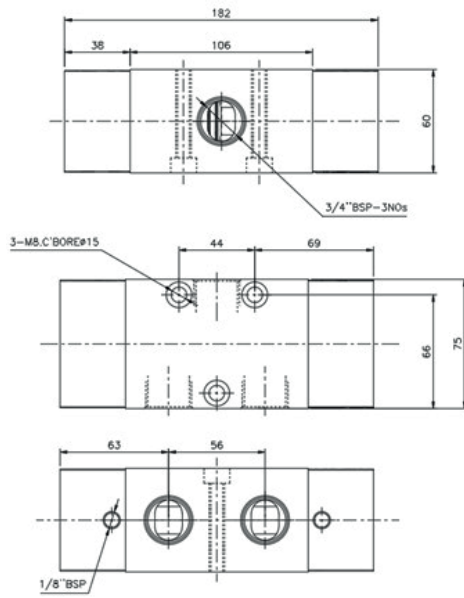
Dimensional drawings



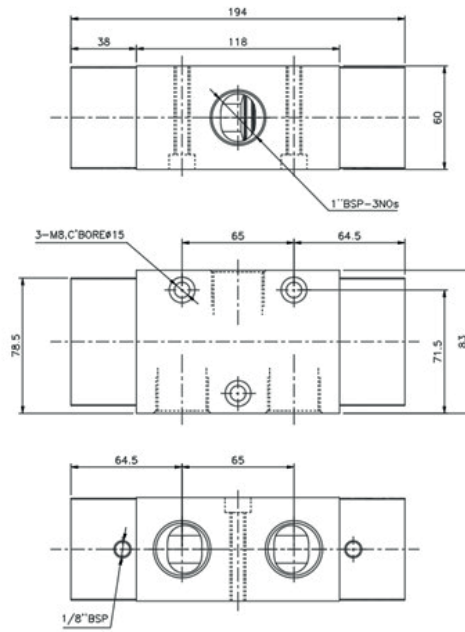
DAQ 211



DAQ 311 & DAQ411



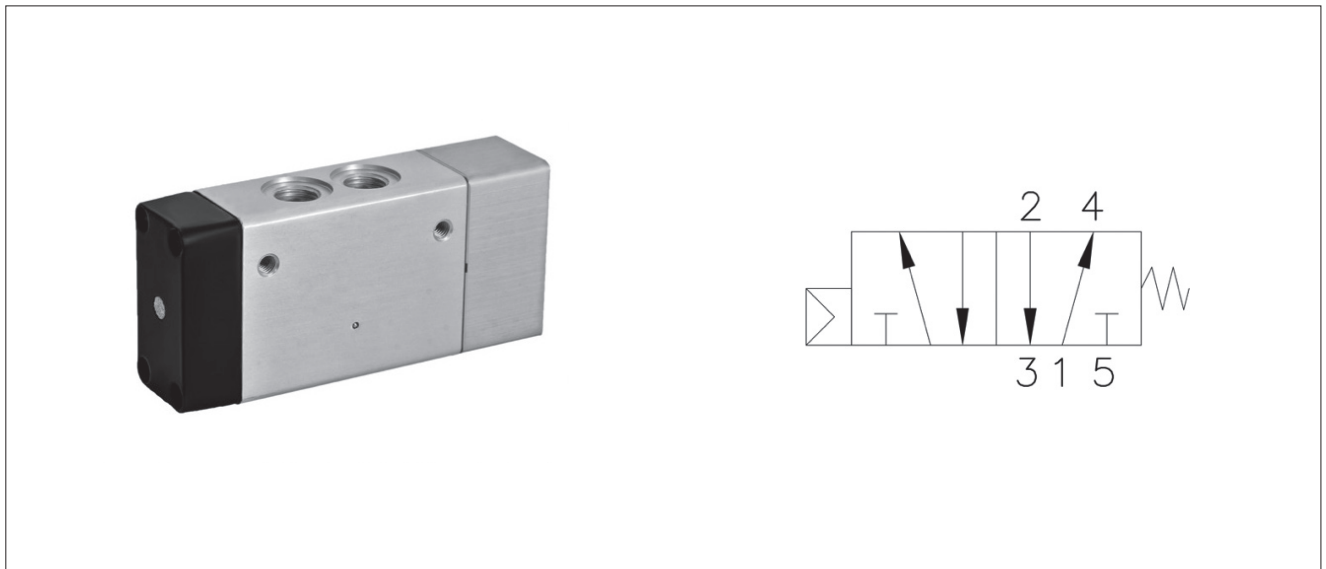
DAQ611



DAQ811

5/2 way air operated spool type valve

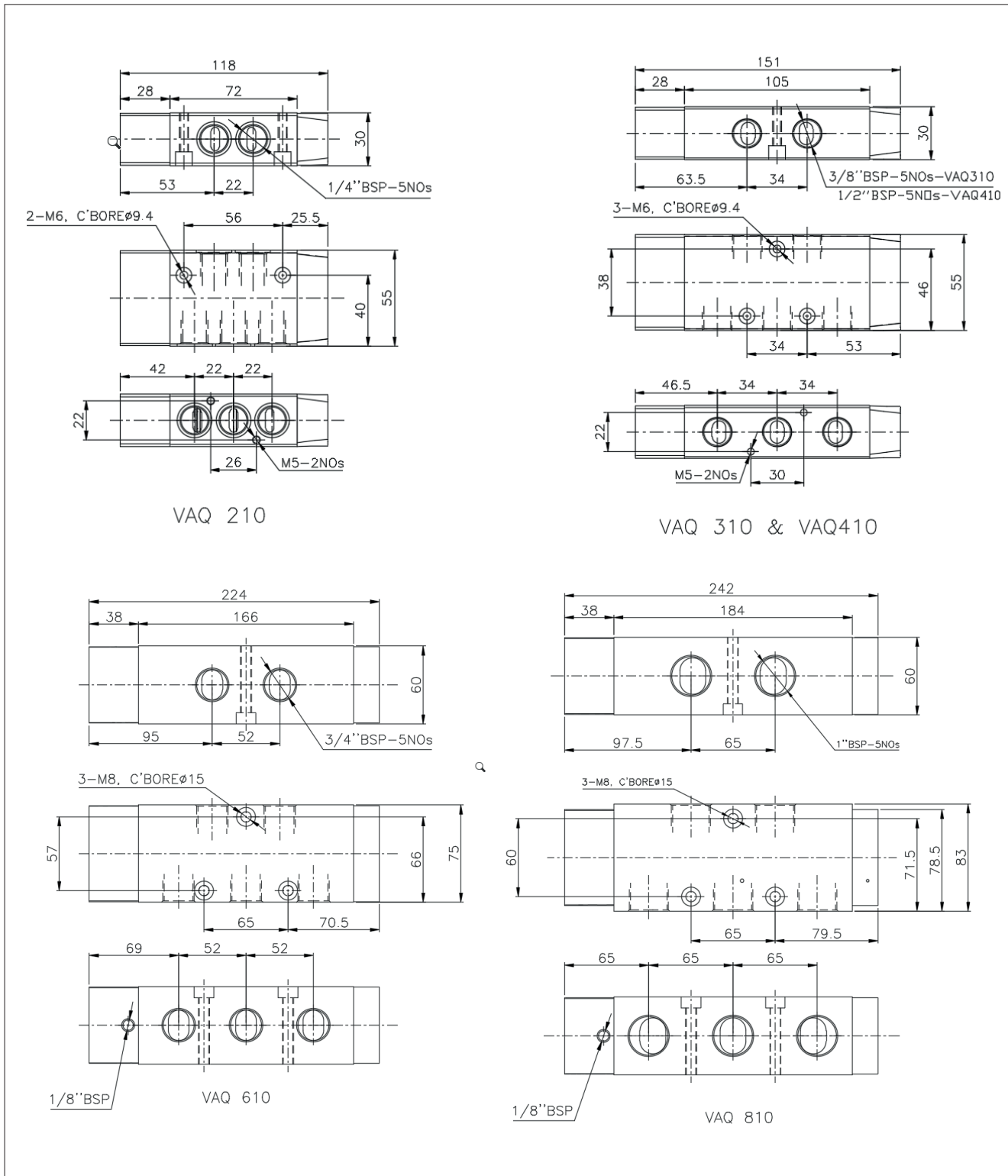
Model No: VAQ210/310/410/610/810



Technical specification

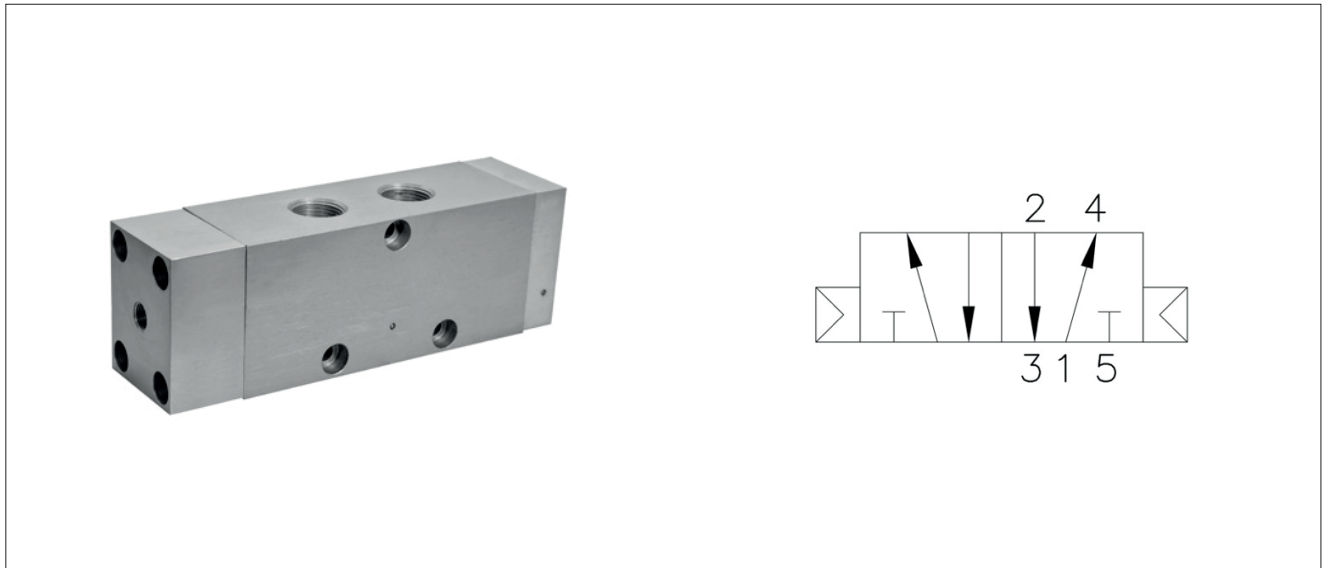
Model	VAQ210	VAQ310	VAQ410	VAQ610	VAQ810
Type	5/2 way spool design, single external pilot operated spring return valve				
Media	Compressed air, 50 µm. Filtered, lubricated or unlubricated				
Mounting	Through holes in housing, also suitable for mounting on manifold				
Orifice (mm)	6.7	10	10	16	20
Flow factor (kv) (L / min)	15	38	38	75	110
Port size	1/4"	3/8"	1/2"	3/4"	1"
Operating pressure range (bar)	0 to 10				
Pilot pressure (bar)	2				
Temperature range (°C)	-10 to 70				
Valve body MOC	Aluminium / SS				
Seals MOC	NBR				

Dimensional drawings



5/2 way air operated spool type valve

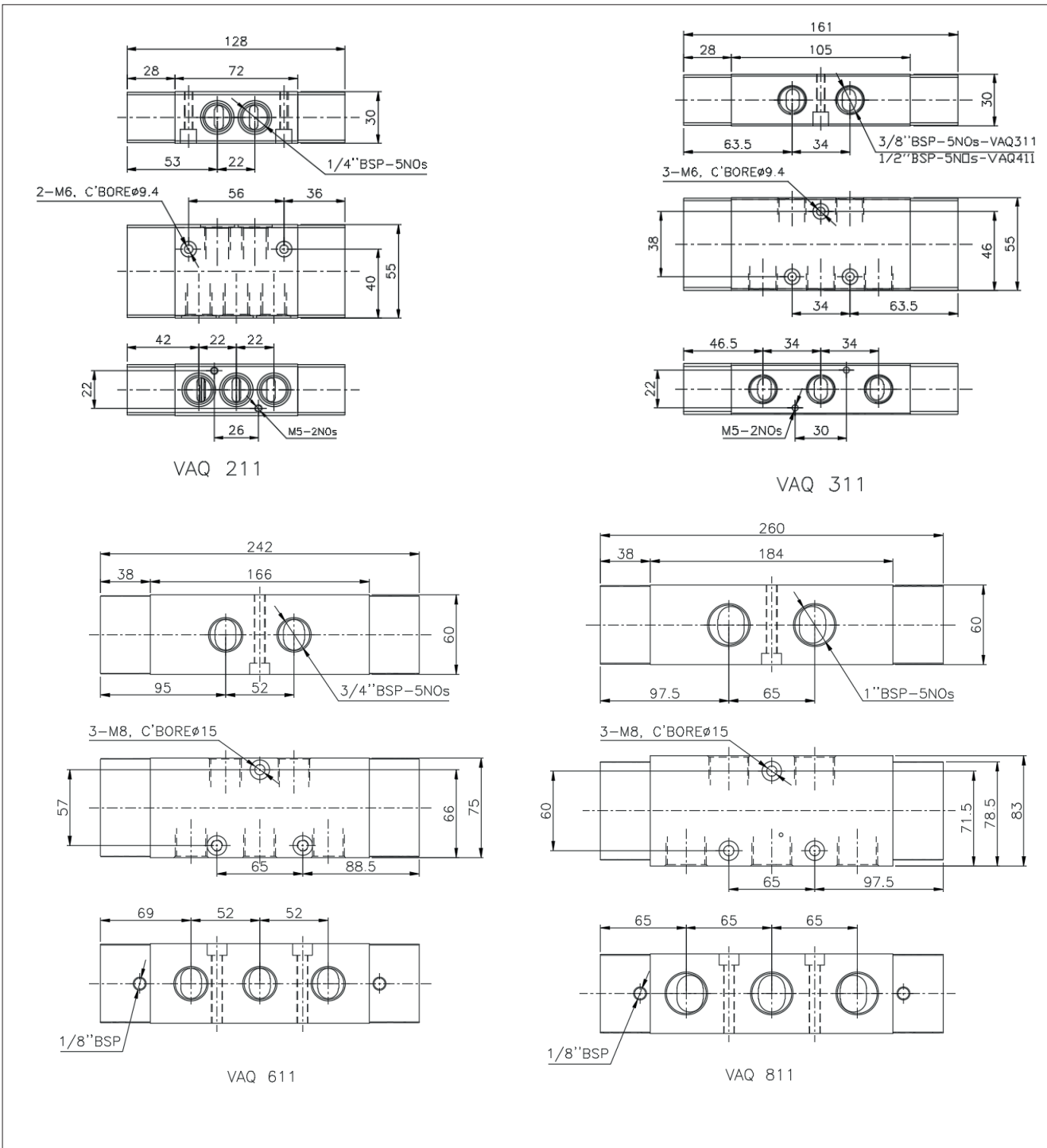
Model No: VAQ211/311/411/611/811



Technical specification

Model	VAQ211	VAQ311	VAQ411	VAQ611	VAQ811
Type	5/2 way spool design, dual external pilot operated valve				
Media	Compressed air, 50 µm. Filtered, lubricated or unlubricated				
Mounting	Through holes in housing, also suitable for mounting on manifold				
Orifice (mm)	6.7	10	10	16	20
Flow factor (kv) (L / min)	15	38	38	75	110
Port size	1/4"	3/8"	1/2"	3/4"	1"
Operating pressure range (bar)	0 to 10				
Pilot pressure (bar)	2				
Temperature range (°C)	-10 to 70				
Valve body MOC	Aluminium / SS				
Seals MOC	NBR				

Dimensional drawings



How to order

1.	2.	3.	4.	5.	6.
DAQ	2	10	G	0	00

1.	Valve type
DAQ	3/2 way
VAQ	5/2 way

4.	Port thread type
G	BSP
R	NPT

2.	Port size
2	1/4"
3	3/8"
4	1/2"
6	3/4"
8	1"

5.	Body material
0	Aluminium
1	SS316

6.	Seal material
0	NBR
1	VITON

3.	Operator
10	Single air spring return spool valve
11	Double Pilot operated

ORDERING EXAMPLE:

1. DAQ-2-10-G-0-0. This is a 3/2 position spool valve with port size of 1/4" BSP connection and aluminium body having NBR seal.
2. VAQ-4-11-R-0-1. This is a 5/2 position spool valve with port size of 1/2" NPT connection and aluminium body having Viton seal.

Valmet Flow Control Oy

Vanha Porvoontie 229, 01380 Vantaa, Finland.

Tel. +358 10 417 5000.

www.valmet.com/flowcontrol

Subject to change without prior notice.

Neles, Neles Easyflow, Jamesbury, Stonel, Valvcon and Flowrox, and certain other trademarks, are either registered trademarks or trademarks of Valmet Oyj or its subsidiaries in the United States and/or in other countries.

For more information www.neles.com/trademarks

