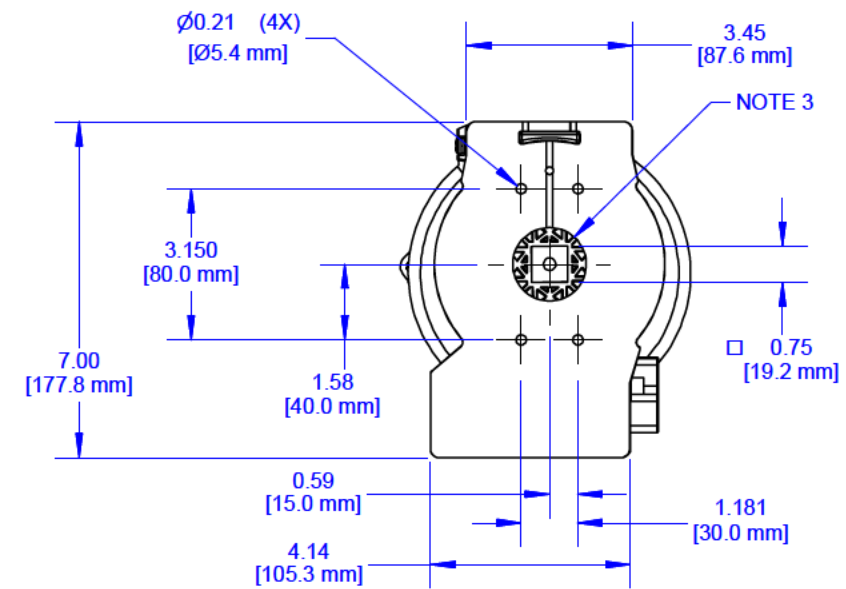


- NOTE:
- 1) DIMENSIONS INCHES [mm].
 - 2) COVER REMOVAL CLEARANCE REQUIRED = 2.25" [57.15 mm].
 - 3) MANIFOLD PLATE AN BASE, SUPPLIED WITH MOUNTING SET. CENTER HOLE DIAMETER BASED ON MOUNTING CLEARANCE REQUIREMENT.
 - 4) CONSULT FACTORY FOR CONDUIT SIZES ON SPECIFIC MODELS.
 - 5) MOUNTING HARDWARE REQUIRED AND SOLD SEPARATELY.
 - 6) CONSULT FACTORY FOR AIR PORT SIZES ON SPECIFIC MODELS.



CERTIFIED TO BE DIMENSIONALLY CORRECT.

REVISIONS	REVISION	ECO	DATE	BY
	B	18887	10/3/22	RB
A	18069	8/17/21	BL	

DR.	BL	TITLE	DIMENSIONAL DATA AXIOM ANX SERIES	
CHK.	BK	SCALE	1:4	SHEET 1 OF 1
APPD.	NK	SIZE	A	DATE 8/17/2021

Valmet

FERGUS FALLS, MN 56537 USA

DRAWING NO	REV
500144	B

PUBLIC
THIS DRAWING AND ALL INFORMATION CONTAINED
HEREIN IS THE PROPERTY OF AND IS SUBJECT TO
CHANGE BY VALMET.

TOLERANCES* (UNLESS OTHERWISE SPECIFIED):
 X.XXX ± .005 ANGLES ± 0° 30'
 X.XX ± .010 FINISH f 125 RMS
 X/X ± .015 *DIMENSIONS: INCHES (UNLESS OTHERWISE SPECIFIED)