

Masters and gateways

Model number
 GW458124A
 GW458130A (ETL)



Dual channel AS-Interface to Modbus RS485 gateway with single power supply feature

Serial dual channel AS-Interface master with Modbus communication protocol for operation with host.

Features

- Version 3.0 master, compatible with all 2.0-3.0 slaves and 7.3 profile analog modules
- Duplicate address detection
- AS-Interface peripheral fault diagnostics

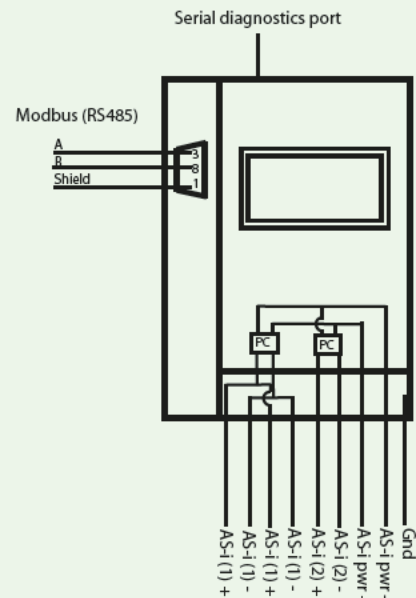
- Serial diagnostics port: see SW462008A for cable and software
- ETL approved Class I Division 2 (GW458130A)
- Single power supply for two AS-Interface networks



Specifications	
AS-Interface master version	3.0
Serial interface	RS485 (9-pin female DB9)
Operating current	250mA
Operating voltage	30 VDC requires (1) 30VDC power supply
Baud rate	1200k - 115,000 Baud
AS-Interface cycle time	Cycle time = 150 microsec. x (AS-Interface slaves +2)
Displays	Slave addresses and error messages LCD Power on, green LED Serial communication active, green LED Configuration error, red LED AS-Interface voltage normal, green LED AS-Interface normal operation, green LED Automatic address program enabled, green LED Master in configuration mode, yellow LED
Buttons	4
Operating temperature	0° to +55°C (+32° to +131°F)
Storage temperature	-25° to +85°C (-13° to +185°F)
Housing	Stainless steel, DIN rail mounting
Dimensions (L, W, H)	120mm, 75mm, 83mm
Ingress protection	IP20
Weight	460g (1 pound)
Approvals (GW458130A)	ETL approved Class I Division 2, groups A,B,C,D



Schematic drawing



Graphical display

The interactive graphical display on this gateway enables the entire AS-Interface network to be commissioned and the connected devices to be completely tested without a PC, PLC or host system. It also enables the user to complete all tasks previously requiring the “AS-Interface Control Tools” software package or hand-held. This allows for simpler and faster commissioning.

Features

- Set device addresses
- Test inputs and outputs
- Perform network diagnostics
- View error counter



Valmet's professionals around the world work close to our customers and are committed to moving our customers' performance forward – every day.

Valmet Flow Control Oy

Vanha Porvoontie 229
01380 Vantaa, Finland
flowcontrol@valmet.com
+358 10 417 5000
valmet.com/flowcontrol

**Valmet Flow Control Inc.
Stonel product center**

26271 US Hwy 59, Fergus Falls, MN 56537 USA.
Tel. +1 218 739 5774.
sales.stonel@valmet.com
valmet.com/flowcontrol

